



**MIL-STD-1553 / MIL-PRF-21038
 DATABUS INTERFACE TRANSFORMERS
 LOW PROFILE SINGLE/DUAL
 ADD "+" ON P/N FOR RoHS COMPLIANCE**

- * Designed to Meet MIL-STD-1553 A/B & MIL-PRF-21038
- * Common Mode Rejection (CMR) Greater Than 45dB
- * Impedance Test Frequency from 75Khz to 1MHz
- * For Non-RoHS, the peak body temperature shall not exceed 225C
- * For RoHS (+) , the peak body temperature shall not exceed 245C
- * Droop Less Than 20%
- * Overshoot & Ringing ±1V Max
- * Pulse Width 2 μS

ELECTRICAL SPECIFICATIONS AT 25°C - OPERATING TEMPERATURE RANGE -55°C TO +125°C

PART NUMBER	TERMINALS / RATIO (± 3%)		TERMINALS / RATIO (± 3%)		DCR (Ohms Max.)	IMPEDANCE (Ohms MIN.)	SCHEMATICS / PACKAGE
PM-DB2701	1-3:4-8	1:1	1-3:5-7	1:1.707	1-3=3.0, 4-8=3.0	4000	1/A
PM-DB2701EX	1-3:4-8	1:1	1-3:5-7	1:1.707	1-3=3.0, 4-8=3.0	4000	1/G
PM-DB2702	1-3:4-8	1.4:1	1-3:5-7	2:1	1-3=3.5, 4-8=3.0	7200	1/A
PM-DB2703	1-3:4-8	1.25 : 1	1-3:5-7	1.66:1	1-3=3.2, 4-8=3.0	4000	1/A
PM-DB2704	4-8:1-3	2.3:1	5-7:1-3	3.2:1	1-3=1.2, 4-8=3.0	3000	4/A
PM-DB2705	1-2:4-3	1:1.41	—	—	1-2=2.2, 3-4=2.7	3000	3/C
PM-DB2705EX	1-2:3-4	1:1.41	—	—	1-2=2.2, 3-4=2.7	3000	5/C
PM-DB2706	1-5:6-2	1:1	—	—	1-5=2.5, 6-2=2.8	3000	2/B
PM-DB2707	1-5:6-2	1:1.41	—	—	1-5=2.2, 6-2=2.7	3000	2/B
PM-DB2708	1-5:6-2	1:1.66	—	—	1-5=1.5, 6-2=2.4	3000	2/B
PM-DB2709	1-5:6-2	1:2	—	—	1-5=1.3, 6-2=2.6	3000	2/B
PM-DB2710	1-3:4-8	1:2.12	1-3:5-7	1:1.5	1-3=1.0, 4-8=3.5	4000	1/A
PM-DB2711	1-3:4-8	1:1	1-3:5-7	1:1.707	1-3=3.0, 4-8=3.0	4000	1/D
PM-DB2712	1-3:4-8	1.4:1	1-3:5-7	2.1:1	1-3=3.5, 4-8=3.0	7200	1/D
PM-DB2713	1-3:4-8	1.25:1	1-3:5-7	1.66:1	1-3=3.2, 4-8=3.0	4000	1/D
PM-DB2714	4-8:1-3	2.3:1	5-7:1-3	3.2:1	1-3=1.2, 4-8=3.0	3000	4/D
PM-DB2715	1-3:4-8	1:2.12	1-3:5-7	1:1.5	1-3=1.0, 4-8=3.5	4000	1/D
PM-DB2716	1-3:4-8	1:1	1-3:5-7	1:1.707	1-3=3.0, 4-8=3.0	4000	1/E
PM-DB2717	1-3:4-8	1.41:1	1-3:5-7	2:1	1-3=3.5, 4-8=3.0	7200	1/E
PM-DB2718	1-3:4-8	1.25:1	1-3:5-7	1.66:1	1-3=3.2, 4-8=3.0	4000	1/E
PM-DB2719	4-8:1-3	2.3:1	5-7:1-3	3.26:1	1-3=1.2, 4-8=3.0	3000	1/E
PM-DB2720	1-3:4-8	1:2.12	1-3:5-7	1:1.5	1-3=1.0, 4-8=3.5	3000	1/E
PM-DB2721	1-3:4-8	1:1	1-3:5-7	1:1.707	1-3=3.0, 4-8=3.0	4000	1/A
PM-DB2722	1-3:4-8	1.41:1	1-3:5-7	2:1	1-3=3.5, 4-8=3.0	7200	1/A
PM-DB2723	1-3:4-8	1.25:1	1-3:5-7	1.66:1	1-3=3.2, 4-8=3.0	4000	1/A
PM-DB2724	1-3:4-8	1:2.12	1-3:5-7	1:1.5	1-3=1.0, 4-8=3.5	4000	1/A
PM-DB2725	1-3:4-8	1:2.5	1-3:5-7	1:1.79	1-3=1.0, 4-8=3.5	4000	1/A
PM-DB2725EX	1-3:4-8	1:2.5	1-3:5-7	1:1.79	1-3=1.0, 4-8=3.5	4000	1/G
PM-DB2726	1-3:4-8	1:2.5	1-3:5-7	1:1.79	1-3=1.0, 4-8=3.5	4000	1/A
PM-DB2727	1-3:4-8	1:2.5	1-3:5-7	1:1.79	1-3=1.0, 4-8=3.5	4000	1/D
PM-DB2728	1-5:6-2	1:1.5	—	—	1-5=0.9, 6-2=2.5	3000	2/B
PM-DB2729	1-5:6-2	1:1.79	—	—	1-5=0.9, 6-2=2.5	3000	2/B
PM-DB2730	1-5:6-2	1:2.5	—	—	1-5=1.0, 6-2=2.8	3000	2/B
PM-DB2731	1-3:4-8	1:2.5	1-3:5-7	1:1.79	1-3=1.0, 4-8=3.5	4000	1/E
PM-DB2755	1-3:4-8	1:3.75	1-3:5-7	1:2.70	1-3=1.0, 4-8=4.0	4000	1/G
PM-DB2759 (1)	1-5:6-2	1:1.79	—	—	1-5=0.9, 6-2=2.5	3000	2/U
PM-DB2760 (1)	1-5:6-2	1:2.5	—	—	1-5=1.0, 6-2=2.8	3000	2/U

(1) OPERATING TEMPERATURE RANGE FROM -40C TO +130C

Specifications subject to change without notice.

pm-dbx01/12/09



**MIL-STD-1553 / MIL-PRF-21038
 DATABUS INTERFACE TRANSFORMERS
 LOW PROFILE SINGLE/DUAL
 ADD "+" ON P/N FOR RoHS COMPLIANCE**

LOW PROFILE SINGLE RATIO HT= 0.155"

PART NUMBER	TERMINALS / RATIO (± 3%)		TERMINALS / RATIO (± 3%)		DCR (Ohms Max.)	IMPEDANCE (Ohms MIN.)	SCHEMATICS / PACKAGE
PM-DB2741	1-3:4-8	1:1	1-3:5-7	1:1.707	1-3=3.0, 4-8=3.0	4000	1/K
PM-DB2742	1-3:4-8	1.4:1	1-3:5-7	2:1	1-3=3.5, 4-8=3.0	7200	1/K
PM-DB2743	1-3:4-8	1.25:1	1-3:5-7	1.66:1	1-3=3.2, 4-8=3.0	4000	1/K
PM-DB2744	1-3:4-8	1:2.12	1-3:5-7	1:1.5	1-3=1.0, 4-8=3.5	4000	1/K
PM-DB2745	1-3:4-8	1:2.5	1-3:5-7	1:1.79	1-3=1.0, 4-8=3.5	4000	1/K

PART NUMBER	TERMINALS / RATIO (± 3%)		TERMINALS / RATIO (± 3%)		DCR (Ohms Max.)	IMPEDANCE (Ohms MIN.)	SCHEMATICS / PACKAGE
PM-DB2741L	1-3:4-8	1:1	1-3:5-7	1:1.707	1-3=3.0, 4-8=3.0	4000	1/L
PM-DB2742L	1-3:4-8	1.4:1	1-3:5-7	2:1	1-3=3.5, 4-8=3.0	7200	1/L
PM-DB2743L	1-3:4-8	1.25:1	1-3:5-7	1.66:1	1-3=3.2, 4-8=3.0	4000	1/L
PM-DB2744L	1-3:4-8	1:2.12	1-3:5-7	1:1.5	1-3=1.0, 4-8=3.5	4000	1/L
PM-DB2745L	1-3:4-8	1:2.5	1-3:5-7	1:1.79	1-3=1.0, 4-8=3.5	4000	1/L

PART NUMBER	TERMINALS / RATIO (± 3%)		TERMINALS / RATIO (± 3%)		DCR (Ohms Max.)	IMPEDANCE (Ohms MIN.)	SCHEMATICS / PACKAGE
PM-DB2741M	1-3:4-8	1:1	1-3:5-7	1:1.707	1-3=3.0, 4-8=3.0	4000	1/M
PM-DB2742M	1-3:4-8	1.4:1	1-3:5-7	2:1	1-3=3.5, 4-8=3.0	7200	1/M
PM-DB2743M	1-3:4-8	1.25:1	1-3:5-7	1.66:1	1-3=3.2, 4-8=3.0	4000	1/M
PM-DB2744M	1-3:4-8	1:2.12	1-3:5-7	1:1.5	1-3=1.0, 4-8=3.5	4000	1/M
PM-DB2745M	1-3:4-8	1:2.5	1-3:5-7	1:1.79	1-3=1.0, 4-8=3.5	4000	1/M

PART NUMBER	TERMINALS / RATIO (± 3%)		TERMINALS / RATIO (± 3%)		DCR (Ohms Max.)	IMPEDANCE (Ohms MIN.)	SCHEMATICS / PACKAGE
PM-DB2741N	1-3:4-8	1:1	1-3:5-7	1:1.707	1-3=3.0, 4-8=3.0	4000	1/N
PM-DB2742N	1-3:4-8	1.4:1	1-3:5-7	2:1	1-3=3.5, 4-8=3.0	7200	1/N
PM-DB2743N	1-3:4-8	1.25:1	1-3:5-7	1.66:1	1-3=3.2, 4-8=3.0	4000	1/N
PM-DB2744N	1-3:4-8	1:2.12	1-3:5-7	1:1.5	1-3=1.0, 4-8=3.5	4000	1/N
PM-DB2745N	1-3:4-8	1:2.5	1-3:5-7	1:1.79	1-3=1.0, 4-8=3.5	4000	1/N

Specifications subject to change without notice.

pm-dbxx01/12/09



MIL-STD-1553 / MIL-PRF-21038
DATABUS INTERFACE TRANSFORMERS
LOW PROFILE SINGLE/DUAL
ADD "+" ON P/N FOR RoHS COMPLIANCE

LOW PROFILE DUAL RATIO HT= 0.155"

PART NUMBER	TERMINALS / RATIO (± 3%)		TERMINALS / RATIO (± 3%)		DCR (Ohms Max.)	IMPEDANCE (Ohms MIN.)	SCHEMATICS / PACKAGE
PM-DB2741D	1-3:16-13	1:1	1-3:15-14	1:1.707	1-3=3.0, 16-13=3.0 5-7=3.0, 12-9=3.0	4000	6/R
	5-7:12-9	1:1	5-7:11-10	1:1.707			
PM-DB2742D	1-3:16-13	1.4:1	1-3:15-14	2:1	1-3=3.5, 16-13=3.0 5-7=3.5, 12-9=3.0	7200	6/R
	5-7:12-9	1.4:1	5-7:11-10	2:1			
PM-DB2743D	1-3:16-13	1.25:1	1-3:15-14	1.66:1	1-3=3.2, 16-13=3.0 5-7=3.2, 12-9=3.0	4000	6/R
	5-7:12-9	1.25:1	5-7:11-10	1.66:1			
PM-DB2744D	1-3:16-13	1:2.12	1-3:15-14	1:1.5	1-3=1.0, 16-13=3.1 5-7=1.0, 12-9=3.1	4000	6/R
	5-7:12-9	1:2.12	5-7:11-10	1:1.5			
PM-DB2745D	1-3:16-13	1:2.5	1-3:15-14	1:1.79	1-3=1.0, 16-13=3.5 5-7=1.0, 12-9=3.5	4000	6/R
	5-7:12-9	1:2.5	5-7:11-10	1:1.79			

PART NUMBER	TERMINALS / RATIO (± 3%)		TERMINALS / RATIO (± 3%)		DCR (Ohms Max.)	IMPEDANCE (Ohms MIN.)	SCHEMATICS / PACKAGE
PM-DB2741S	1-3:16-13	1:1	1-3:15-14	1:1.707	1-3=3.0, 16-13=3.0 5-7=3.0, 12-9=3.0	4000	6/S
	5-7:12-9	1:1	5-7:11-10	1:1.707			
PM-DB2742S	1-3:16-13	1.4:1	1-3:15-14	2:1	1-3=3.5, 16-13=3.0 5-7=3.5, 12-9=3.0	7200	6/S
	5-7:12-9	1.4:1	5-7:11-10	2:1			
PM-DB2743S	1-3:16-13	1.25:1	1-3:15-14	1.66:1	1-3=3.2, 16-13=3.0 5-7=3.2, 12-9=3.0	4000	6/S
	5-7:12-9	1.25:1	5-7:11-10	1.66:1			
PM-DB2744S	1-3:16-13	1:2.12	1-3:15-14	1:1.5	1-3=1.0, 16-13=3.1 5-7=1.0, 12-9=3.1	4000	6/S
	5-7:12-9	1:2.12	5-7:11-10	1:1.5			
PM-DB2745S	1-3:16-13	1:2.5	1-3:15-14	1:1.79	1-3=1.0, 16-13=3.5 5-7=1.0, 12-9=3.5	4000	6/S
	5-7:12-9	1:2.5	5-7:11-10	1:1.79			



**MIL-STD-1553 / MIL-PRF-21038
 DATABUS INTERFACE TRANSFORMERS
 LOW PROFILE SINGLE/DUAL
 ADD "+" ON P/N FOR RoHS COMPLIANCE**

LOW PROFILE DUAL RATIO HT= 0.155"

PART NUMBER	TERMINALS / RATIO (± 3%)		TERMINALS / RATIO (± 3%)		DCR (Ohms Max.)	IMPEDANCE (Ohms MIN.)	SCHEMATICS / PACKAGE
PM-DB2741T	1-3:16-13	1:1	1-3:15-14	1:.707	1-3=3.0, 16-13=3.0 5-7=3.0, 12-9=3.0	4000 4000	6/T
	5-7:12-9	1:1	5-7:11-10	1:.707			
PM-DB2742T	1-3:16-13	1.4:1	1-3:15-14	2:1	1-3=3.5, 16-13=3.0 5-7=3.5, 12-9=3.0	7200 7200	6/T
	5-7:12-9	1.4:1	5-7:11-10	2:1			
PM-DB2743T	1-3:16-13	1.25:1	1-3:15-14	1.66:1	1-3=3.2, 16-13=3.0 5-7=3.2, 12-9=3.0	4000 4000	6/T
	5-7:12-9	1.25:1	5-7:11-10	1.66:1			
PM-DB2744T	1-3:16-13	1:2.12	1-3:15-14	1:1.5	1-3=1.0, 16-13=3.1 5-7=1.0, 12-9=3.1	4000 4000	6/T
	5-7:12-9	1:2.12	5-7:11-10	1:1.5			
PM-DB2745T	1-3:16-13	1:2.5	1-3:15-14	1:1.79	1-3=1.0, 16-13=3.5 5-7=1.0, 12-9=3.5	4000 4000	6/T
	5-7:12-9	1:2.5	5-7:11-10	1:1.79			

DUAL RATIO HT= 0.250"

PART NUMBER	TERMINALS / RATIO (± 3%)		TERMINALS / RATIO (± 3%)		DCR (Ohms Max.)	IMPEDANCE (Ohms MIN.)	SCHEMATICS / PACKAGE
PM-DB27401	1-3:4-8	2:5	1-3:5-7	4:7	1-3=3.5 11-13=3.5 4-8=3.0 14-18=3.0	3000 3000	7/H (.250)
	11-13:14-18	2:5	11-13:15-17	4:7			
PM-DB27402	1-3:4-8	1:0.83	1-3:5-7	1:0.6	1-3=3.0 11-13=3.0 4-8=3.0 14-18=3.0	3000 3000	7/H (.250)
	11-13:14-18	1:0.83	11-13:15-17	1:0.6			
PM-DB27403	1-3:4-8	1.4:1	1-3:5-7	2:1	1-3=3.5 11-13=3.5 4-8=3.0 14-18=3.0	7200 7200	7/H (.250)
	11-13:14-18	1.4:1	11-13:15-17	2:1			
PM-DB27404	1-3:4-8	1:1	1-3:5-7	1:0.707	1-3=3.0 11-13=3.0 4-8=3.0 14-18=3.0	4000 4000	7/H (.250)
	11-13:14-18	1:1	11-13:15-17	1:0.707			
PM-DB27405	1-3:4-8	1.25:1	1-3:5-7	1.66:1	1-3=3.2 11-13=3.2 4-8=3.0 14-18=3.0	4000 4000	7/H (.250)
	11-13:14-18	1.25:1	11-13:15-17	1.66:1			
PM-DB27406	4-8:1-3	2.3:1	5-7:1-3	3.2:1	1-3=1.2 11-13=1.2 5-7=3.0 15-17=3.0	3000 3000	8/H (.250)
	14-18:11-13	2.3:1	15-17:11-13	3.2:1			
PM-DB27407	4-8:1-3	2.12:1	5-7:1-3	1.5:1	1-3=1.1 11-13=1.1 4-8=3.0 14-18=3.0	4000 4000	7/H (.250)
	14-18:11-13	2.12:1	15-17:11-13	1.5:1			
PM-DB27408	1-3:4-8	1:2.5	1-3:5-7	1:1.79	1-3=1.0 11-13=1.0 4-8=3.5 14-18=3.5	4000 4000	7/H (.250)
	11-13:14-18	1:2.5	11-13:15-17	1:1.79			

Specifications subject to change without notice.

pm-dbx01/12/09

20381 BARENTS SEA CIRCLE, LAKE FOREST, CA 92630 • TEL: (949) 452-0511 • FAX: (949) 452-0512 • <http://www.premiermag.com>



**MIL-STD-1553 / MIL-PRF-21038
 DATABUS INTERFACE TRANSFORMERS
 LOW PROFILE SINGLE/DUAL
 ADD "+" ON P/N FOR RoHS COMPLIANCE**

DUAL RATIO HT= 0.280"

PART NUMBER	TERMINALS / RATIO (± 3%)		TERMINALS / RATIO (± 3%)		DCR (Ohms Max.)	Risettime (ns Max.)	IMPEDANCE (Ohms MIN.)	SCHEMATICS / PACKAGE
PM-DB27421	1-3:4-8	2:5	1-3:5-7	4:7	1-3=3.5 11-13=3.5	150	3000	7/H (.280)
	11-13:14-18	2:5	11-13:15-17	4:7	4-8=3.0 14-18=3.0	150	3000	
PM-DB27422	1-3:4-8	1:0.83	1-3:5-7	1:0.6	1-3=3.0 11-13=3.0	150	3000	7/H (.280)
	11-13:14-18	1:0.83	11-13:15-17	1:0.6	4-8=3.0 14-18=3.0	150	3000	
PM-DB27423	1-3:4-8	1.4:1	1-3:5-7	2:1	1-3=3.5 11-13=3.5	150	7200	7/H (.280)
	11-13:14-18	1.4:1	11-13:15-17	2:1	4-8=3.0 14-18=3.0	150	7200	
PM-DB27424	1-3:4-8	1:1	1-3:5-7	1:0.707	1-3=3.0 11-13=3.0	150	4000	7/H (.280)
	11-13:14-18	1:1	11-13:15-17	1:0.707	4-8=3.0 14-18=3.0	150	4000	
PM-DB27425	1-3:4-8	1.25:1	1-3:5-7	1.66:1	1-3=3.2 11-13=3.2	150	4000	7/H (.280)
	11-13:14-18	1.25:1	11-13:15-17	1.66:1	4-8=3.0 14-18=3.0	150	4000	
PM-DB27426	4-8:1-3	2.3:1	5-7:1-3	3.2:1	1-3=1.2 11-13=1.2	150	3000	8/H (.280)
	14-18:11-13	2.3:1	15-17:11-13	3.2:1	5-7=3.0 15-17=3.0	150	3000	
PM-DB27427	4-8:1-3	2.12:1	5-7:1-3	1.5:1	1-3=1.1 11-13=1.1	200	4000	7/H (.280)
	14-18:11-13	2.12:1	15-17:11-13	1.5:1	4-8=3.0 14-18=3.0	200	4000	
PM-DB27428	1-3:4-8	1:2.5	1-3:5-7	1:1.79	1-3=1.0 11-13=3.5	250	3000	7/H (.280)
	11-13:14-18	1:2.5	11-13:15-17	1:1.79	4-8=3.5 14-18=4.0	250	3000	

DUAL RATIO HT= 0.320"

PART NUMBER	TERMINALS / RATIO (± 3%)		TERMINALS / RATIO (± 3%)		DCR (Ohms Max.)	IMPEDANCE (Ohms MIN.)	SCHEMATICS / PACKAGE
PM-DB27411	1-3:4-8	2:5	1-3:5-7	4:7	1-3=3.5 11-13=3.5	3000	7/H (.320)
	11-13:14-18	2:5	11-13:15-17	4:7	4-8=3.0 14-18=3.0	3000	
PM-DB27412	1-3:4-8	1:0.83	1-3:5-7	1:0.6	1-3=3.0 11-13=3.0	3000	7/H (.320)
	11-13:14-18	1:0.83	11-13:15-17	1:0.6	4-8=3.0 14-18=3.0	3000	
PM-DB27413	1-3:4-8	1.4:1	1-3:5-7	2:1	1-3=3.5 11-13=3.5	7200	7/H (.320)
	11-13:14-18	1.4:1	11-13:15-17	2:1	4-8=3.0 14-18=3.0	7200	
PM-DB27414	1-3:4-8	1:1	1-3:5-7	1:0.707	1-3=3.0 11-13=3.0	4000	7/H (.320)
	11-13:14-18	1:1	11-13:15-17	1:0.707	4-8=3.0 14-18=3.0	4000	
PM-DB27415	1-3:4-8	1.25:1	1-3:5-7	1.66:1	1-3=3.2 11-13=3.2	4000	7/H (.320)
	11-13:14-18	1.25:1	11-13:15-17	1.66:1	4-8=3.0 14-18=3.0	4000	
PM-DB27416	4-8:1-3	2.3:1	5-7:1-3	3.2:1	1-3=1.2 11-13=1.2	3000	8/H (.320)
	14-18:11-13	2.3:1	15-17:11-13	3.2:1	5-7=3.0 15-17=3.0	3000	
PM-DB27417	4-8:1-3	2.12:1	5-7:1-3	1.5:1	1-3=1.1 11-13=1.1	4000	7/H (.320)
	14-18:11-13	2.12:1	15-17:11-13	1.5:1	4-8=3.0 14-18=3.0	4000	
PM-DB27418	1-3:4-8	1:2.5	1-3:5-7	1:1.79	1-3=1.0 11-13=1.0	4000	7/H (.320)
	11-13:14-18	1:2.5	11-13:15-17	1:1.79	4-8=3.5 14-18=3.5	4000	

Specifications subject to change without notice.

pm-dbx01/12/09



**MIL-STD-1553 / MIL-PRF-21038
 DATABUS INTERFACE TRANSFORMERS
 LOW PROFILE SINGLE/DUAL
 ADD "+" ON P/N FOR RoHS COMPLIANCE**

DUAL RATIO HT= 0.320"

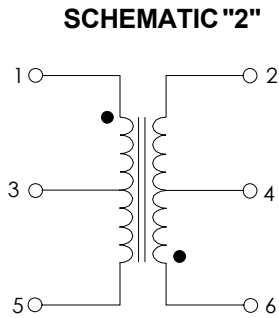
PART NUMBER	TURNS RATIO (±3%)	TERMINALS		DCR (Ohms Max.)		IMPEDANCE (Ohms MIN.)		SCHEMATICS / PACKAGE
		PRIMARY	SECONDARY	PRIMARY	SECONDARY	75KHZ-249KHZ	250KHZ - 1MHZ	
PM-DB2761	1 : 3.75	1-2, 4-5	10-9, 7-6	0.3	3.0	4000	4000	12 / AA
PM-DB2762	1 : 2.50	1-2, 4-5	10-9, 7-6	1.5	3.5	3000	4000	12 / AA
PM-DB2763	1.25 : 1	1-2, 4-5	10-9, 7-6	2.4	1.5	3000	4000	12 / AA
PM-DB2764	1.41 : 1	1-2, 4-5	10-9, 7-6	2.7	2.2	5000	7200	12 / AA
PM-DB2765	1 : 2.70	1-2, 4-5	10-9, 7-6	0.5	2.0	2000	3000	12 / AA
PM-DB2766	1 : 1.79	1-2, 4-5	10-9, 7-6	1.5	2.5	2000	4000	12 / AA
PM-DB2767	1.66 : 1	1-2, 4-5	10-9, 7-6	2.4	1.5	3000	4000	12 / AA
PM-DB2768	2.00 : 1	1-2, 4-5	10-9, 7-6	2.6	1.3	5000	7200	12 / AA

Specifications subject to change without notice.

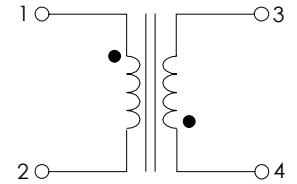
pm-dbx01/12/09

SCHEMATICS

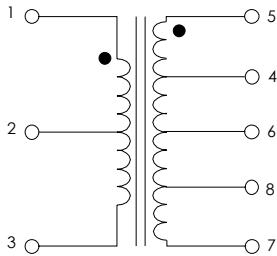
SCHEMATIC "1"



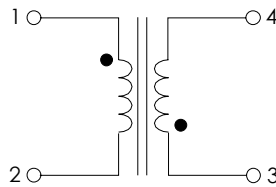
SCHEMATIC "3"



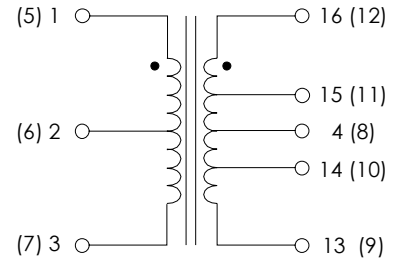
SCHEMATIC "4"



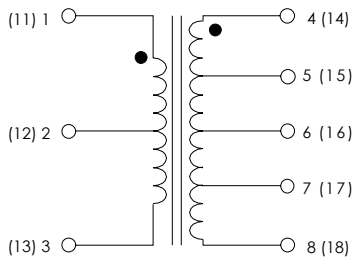
SCHEMATIC "5"



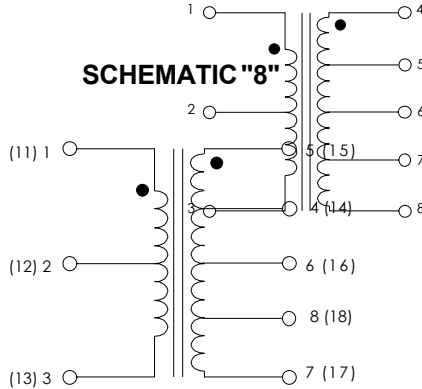
SCHEMATIC "6"



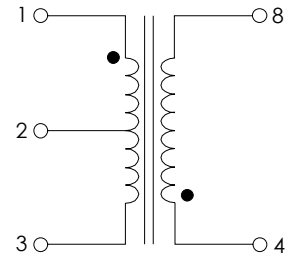
SCHEMATIC "7"



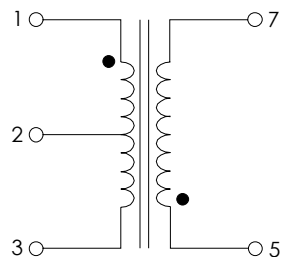
SCHEMATIC "8"



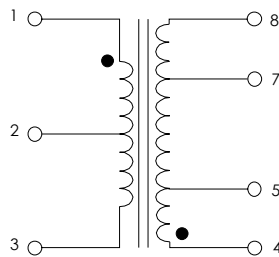
SCHEMATIC "9"



SCHEMATIC "10"



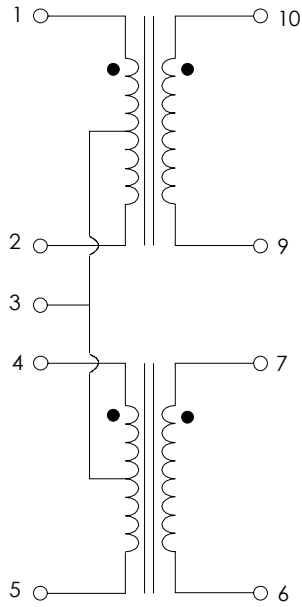
SCHEMATIC "11"





**MIL-STD-1553 / MIL-PRF-21038
DATABUS INTERFACE TRANSFORMERS
LOW PROFILE SINGLE/DUAL
ADD "+" ON P/N FOR RoHS COMPLIANCE**

SCHEMATIC "12"



MIL-STD-1553 / MIL-PRF-21038

DATABUS INTERFACE TRANSFORMERS

LOW PROFILE SINGLE/DUAL

ADD "+" ON P/N FOR RoHS COMPLIANCE

FIGURE #A

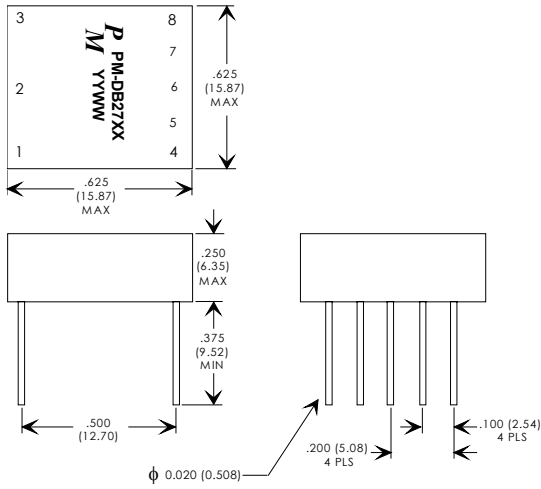


FIGURE #B

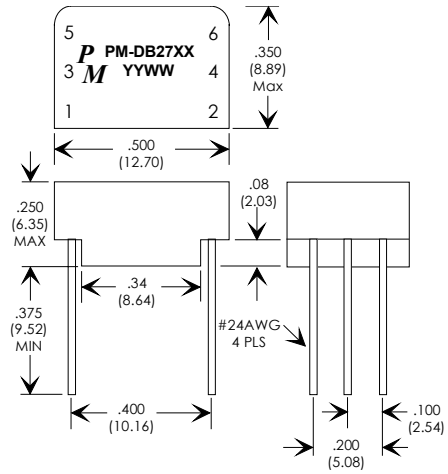


FIGURE #C

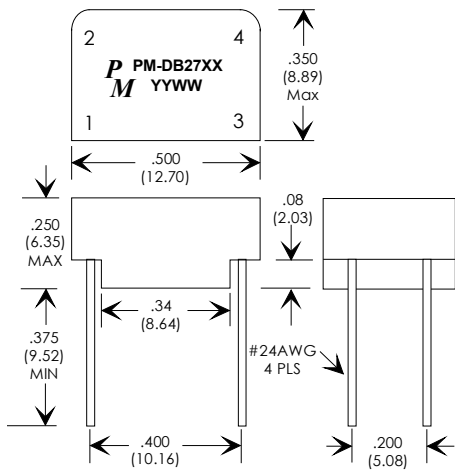


FIGURE #D

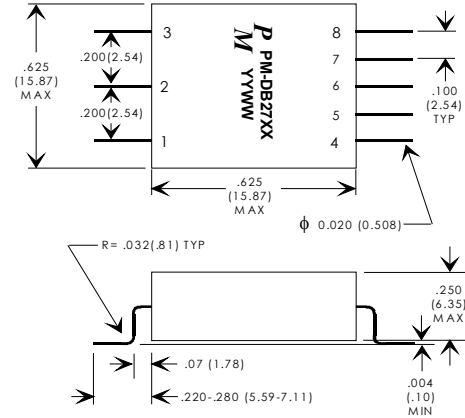


FIGURE #E

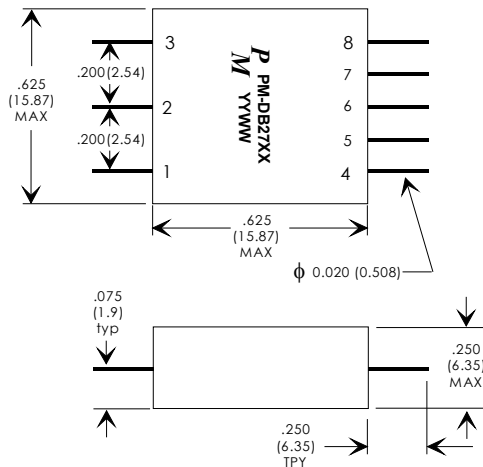
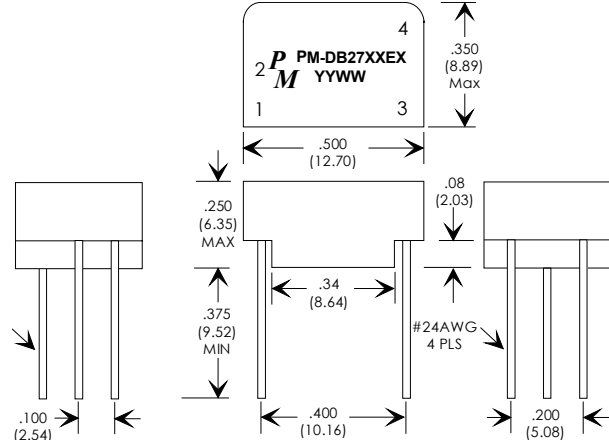


FIGURE #F



Specifications subject to change without notice.

pm-dbx01/12/09

MIL-STD-1553 / MIL-PRF-21038

DATABUS INTERFACE TRANSFORMERS

LOW PROFILE SINGLE/DUAL

ADD "+" ON P/N FOR RoHS COMPLIANCE

FIGURE #G

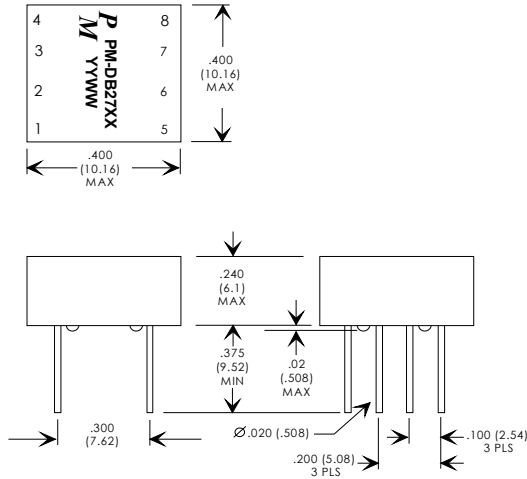


FIGURE #H

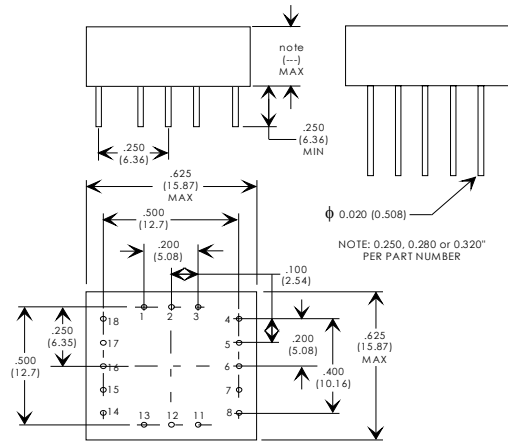


FIGURE #K

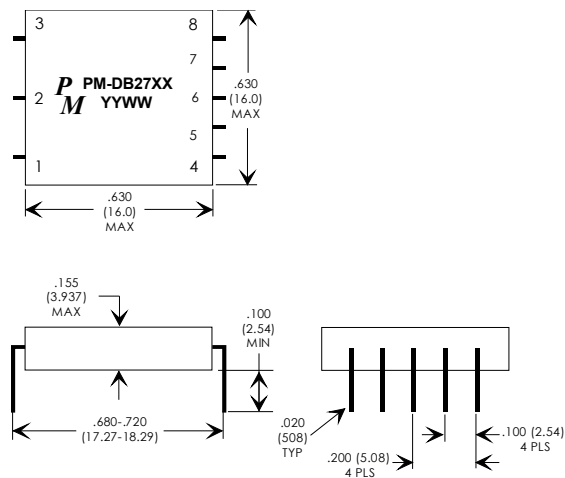


FIGURE #L

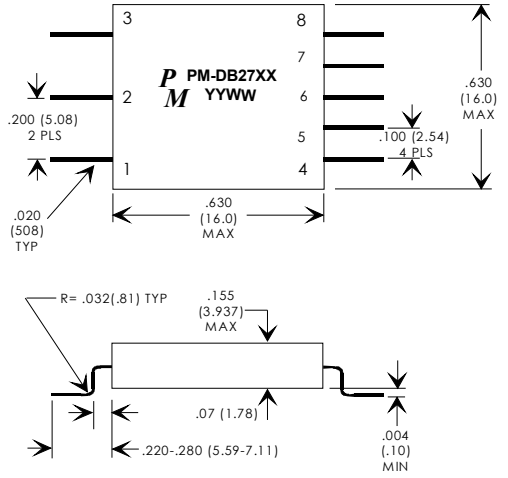


FIGURE #M

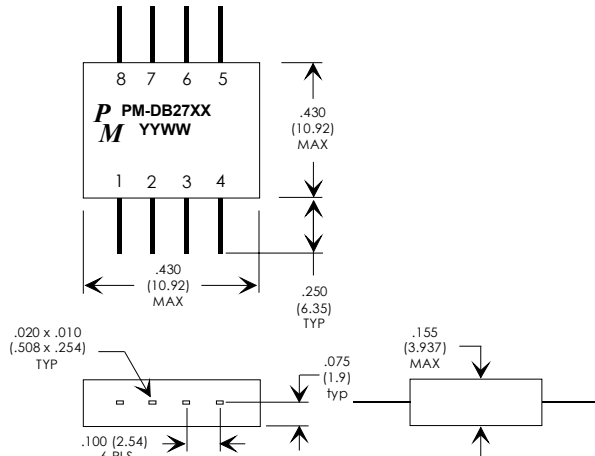
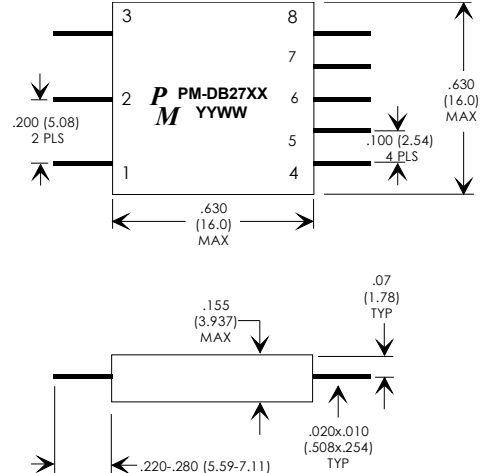


FIGURE #N



Specifications subject to change without notice.

pm-dbx01/12/09

MIL-STD-1553 / MIL-PRF-21038 DATABUS INTERFACE TRANSFORMERS LOW PROFILE SINGLE/DUAL ADD "+" ON P/N FOR RoHS COMPLIANCE

FIGURE # R

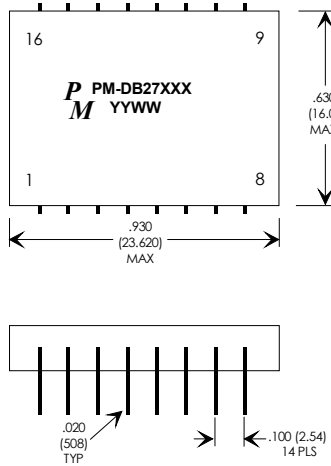


FIGURE # S

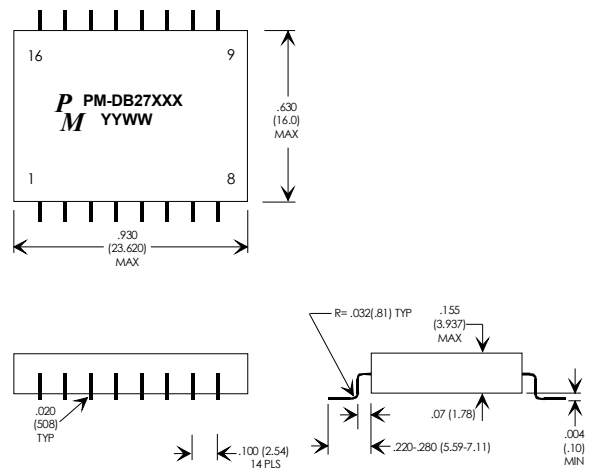


FIGURE # T

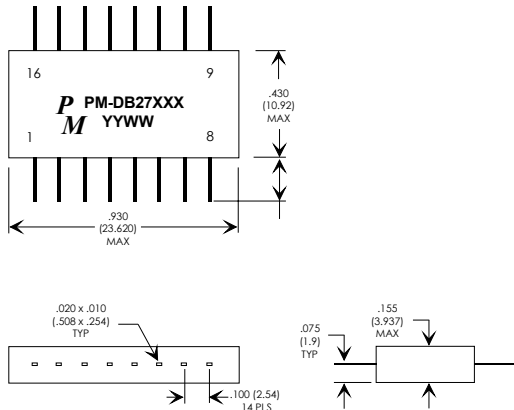


FIGURE # U

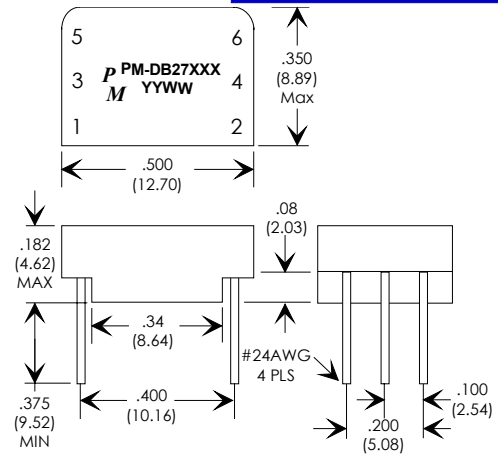


FIGURE # V

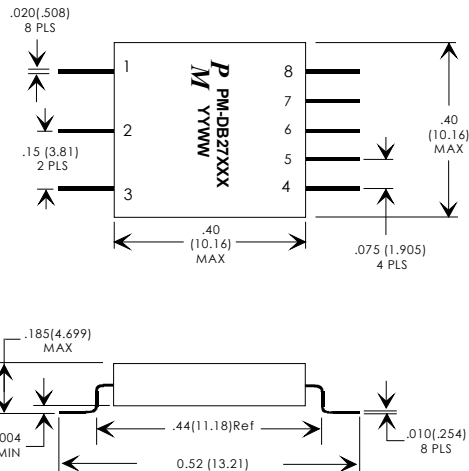
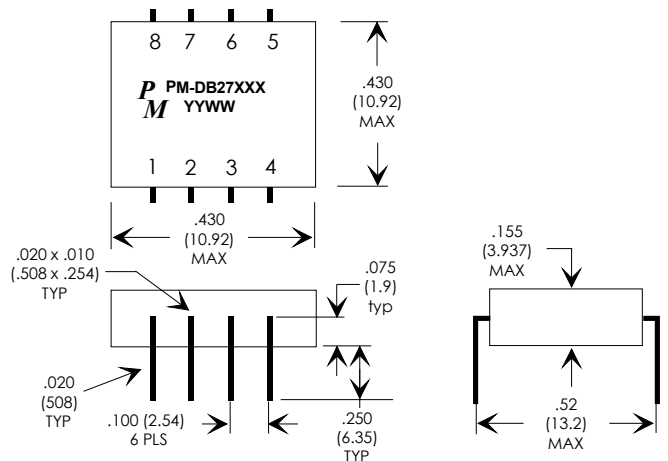


FIGURE # W



Specifications subject to change without notice.

pm-dbx01/12/09

MIL-STD-1553 / MIL-PRF-21038
DATABUS INTERFACE TRANSFORMERS
LOW PROFILE SINGLE/DUAL
ADD "+" ON P/N FOR RoHS COMPLIANCE

FIGURE # X

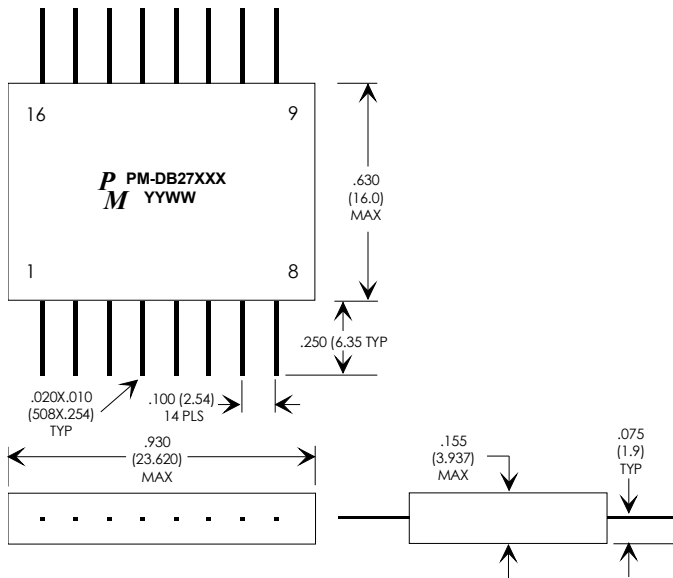


FIGURE # AA

